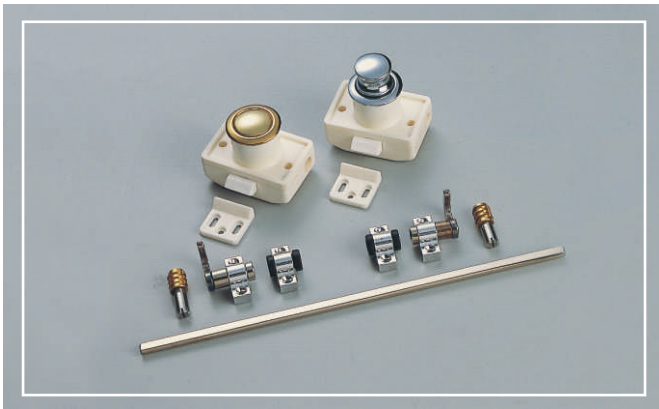


DOOR CABINET LATCH PUSH BUTTON



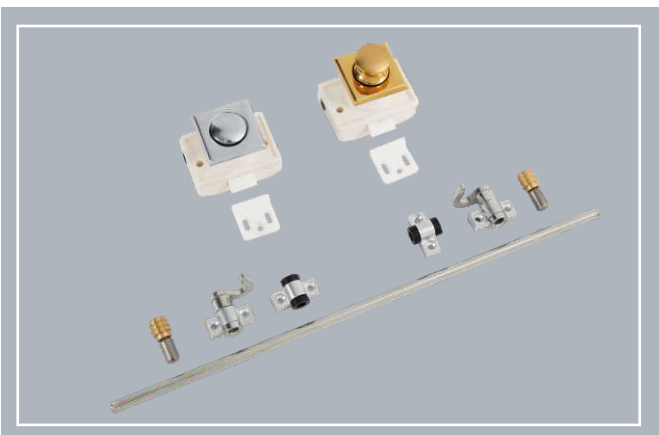
• Cabinet Latch 7100



• Door Latch 7200



• Cabinet Latch 7300



• Door Latch 7400

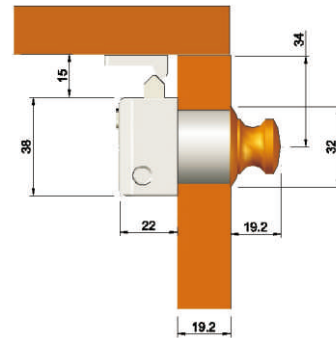
FEATURES

- Easy to install, safe, and attractive outline.
- Button trim and interior spring are made of stainless steel to avoid corrosion.
- Can be used for thickness from 1/2" to 1". Standard thickness is 3/4".
- Dual action latch positive locking with button fully depressed. (7100.7300.7500)
- It will hold the door without locking. To depress button will link s/s shaft with clamp to hook up s/s tap for positive locking. (7200.7400.7600)
- Optional colors: silver/chrome, gold/titanium plated.

7200-14
L=48"(1220mm)

CAUTION:

To prevent breakage or damage. Do not activate the latch before the door has closed.



• Door Latch 7500



• Door Latch 7600