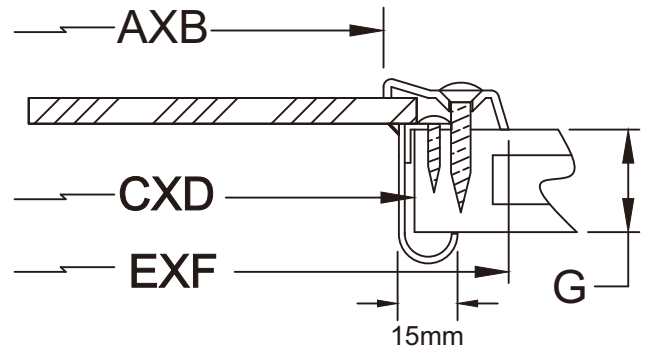


FIXED TYPE PORTHOLES (H-TRIM)

- 316 machined stamped stainless steel frames and trim rings. Hand Polished and electro polished to provide long lasting protection against corrosion.
- High Strength tempered glass.
- Additional fixed or removable storm cover available.



MODEL No.	A x B MODEL	C x D CUT OUT	E x F OVERALL	GLASS THICKNESS
FE-0718	7 X 17 ³ / ₄ 178X451	7 ³ / ₈ X 18 188X458	9 ⁵ / ₈ X 20 ³ / ₈ 244X518	1/4 6

IN/MM

1. Standard spigot size

"G" available 1¹/₄"_{32mm} · 1¹/₂"_{38mm} · 2"_{51mm} · 2¹/₂"_{63mm} · 3"_{76mm} · 3¹/₂"_{89mm}

2. Special spigot size "G" available from 1"_{25mm} ~ 5"_{125mm}

3. The spigot height are needed, while ordering.



MODEL No.	A x B MODEL	C x D CUT OUT	E x F OVERALL	GLASS THICKNESS
FO-0512	5 X 12 127X305	5 ³ / ₈ X 12 ³ / ₈ 137X315	7 ⁷ / ₈ X 14 ⁷ / ₈ 200X378	1/4 6
FO-0614	6 X 14 153X356	6 ³ / ₈ X 14 ³ / ₈ 162X365	8 ⁷ / ₈ X 16 ⁷ / ₈ 225X429	1/4 6
FO-0714	7 X 14 178X356	7 ³ / ₈ X 14 ³ / ₈ 188X365	9 ⁷ / ₈ X 16 ⁷ / ₈ 251X429	1/4 6
FO-0716	7 X 16 178X406	7 ³ / ₈ X 16 ³ / ₈ 188X416	9 ⁷ / ₈ X 18 ⁷ / ₈ 251X479	1/4 6
FO-0718	7 X 18 178X457	7 ³ / ₈ X 18 ³ / ₈ 188X467	9 ⁷ / ₈ X 20 ⁷ / ₈ 251X530	1/4 6
FO-0816	8 X 16 203X406	8 ³ / ₈ X 16 ³ / ₈ 213X416	10 ⁷ / ₈ X 18 ⁷ / ₈ 276X479	1/4 6
FO-0818	8 X 18 203X457	8 ³ / ₈ X 18 ³ / ₈ 213X467	10 ⁷ / ₈ X 20 ⁷ / ₈ 276X530	1/4 6

IN/MM

MODEL No.	A MODEL	C CUT OUT	F OVERALL	GLASS THICKNESS
FR-0500	5 127	5 ³ / ₈ 137	7 ⁷ / ₈ 200	1/4 6
FR-0600	6 153	6 ³ / ₈ 162	8 ⁷ / ₈ 225	1/4 6
FR-0700	7 178	7 ³ / ₈ 188	9 ⁷ / ₈ 251	1/4 6
FR-0800	8 203	8 ³ / ₈ 213	10 ⁷ / ₈ 276	1/4 6

IN/MM