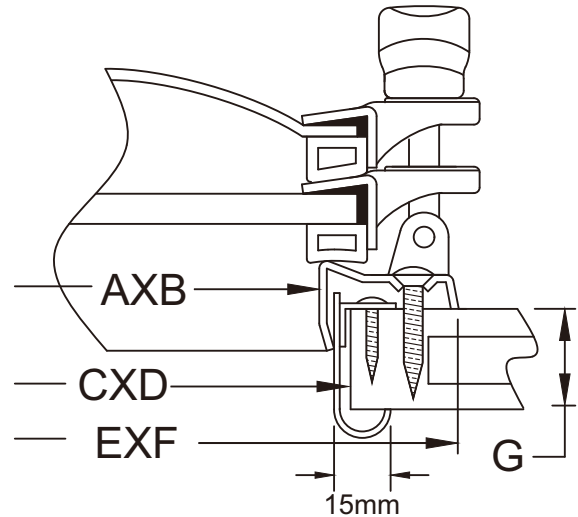


OPENING PORTS (H-TRIM) WITH STORM COVERS

- **CE Approved. According to ISO / DIS 12216**
CLE, CLR & CLO type are applied to Area I, II, III, IV. Designs for craft type "any".
- Each cover is machine stamped 316 stainless steel. Hand Polished and electro polished to provide long lasting protection against corrosion.
- All other features are the same as our **RECTANGULAR OPENING PORTS**.

- Fixed or removable storm cover available.



MODEL No.	A x B MODEL	C x D CUT OUT	E x F OVERALL	GLASS THICKNESS
CLE-0718	7 X 17 ³ / ₄ 178x451	7 ³ / ₈ X 18 187x458	9 ⁵ / ₈ X 20 ³ / ₈ 244x518	5 ¹ / ₁₆

IN / MM

1. Standard spigot size
"G" available 1 ¹/₄" 32mm · 1 ¹/₂" 38mm · 2 ¹/₈" 51mm · 2 ¹/₂" 63mm · 3 ¹/₈" 76mm · 3 ¹/₂" 89mm
2. Special spigot size "G" available from 1 ²⁵/₈" ~ 5 ¹²⁵/₈"
3. The spigot height are needed, while ordering.



MODEL No.	A x B MODEL	C x D CUT OUT	E x F OVERALL	GLASS THICKNESS
CLO-0716	7 X 16 178x406	7 ⁵ / ₈ X 16 ⁵ / ₈ 194x422	9 ⁷ / ₈ X 18 ⁷ / ₈ 251x479	5 ¹ / ₁₆
CLO-0718	7 X 18 178x457	7 ⁵ / ₈ X 18 ⁵ / ₈ 194x473	9 ⁷ / ₈ X 20 ⁷ / ₈ 251x530	5 ¹ / ₁₆
CLO-0816	8 X 16 203x406	8 ⁵ / ₈ X 16 ⁵ / ₈ 219x422	10 ⁷ / ₈ X 18 ⁷ / ₈ 276x479	5 ¹ / ₁₆
CLO-0818	8 X 18 203x457	8 ⁵ / ₈ X 18 ⁵ / ₈ 219x473	10 ⁷ / ₈ X 20 ⁷ / ₈ 276x530	5 ¹ / ₁₆

IN / MM

MODEL No.	A MODEL	C CUT OUT	F OVERALL	GLASS THICKNESS
CLR-0800	8 203	8 ⁵ / ₈ 219	10 ⁷ / ₈ 276	5 ¹ / ₁₆ 8

IN / MM