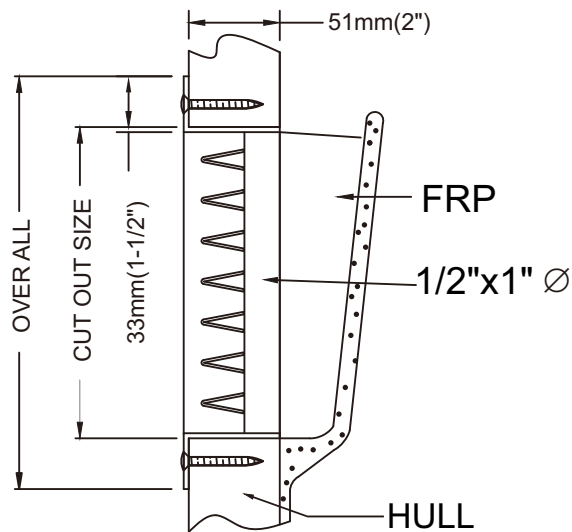


# VENTILATOR

- 316 stainless steel machined rolled frames. Hand polishing to protect against corrosion.
- Powder coating either off white or black available.
- All cut out sizes C X D are same as Rectangular / Round / Oval / Elliptical port's, pls refer it to LS / LR / LO / LE type.

**(LS) RECTANGULAR VENTILATOR**



**(LS-H) RECTANGULAR VENTILATOR**



**(LO) OVAL VENTILATOR**



**(LE) ELLIPTICAL VENTILATOR**



**(LR) ROUND VENTILATOR**

