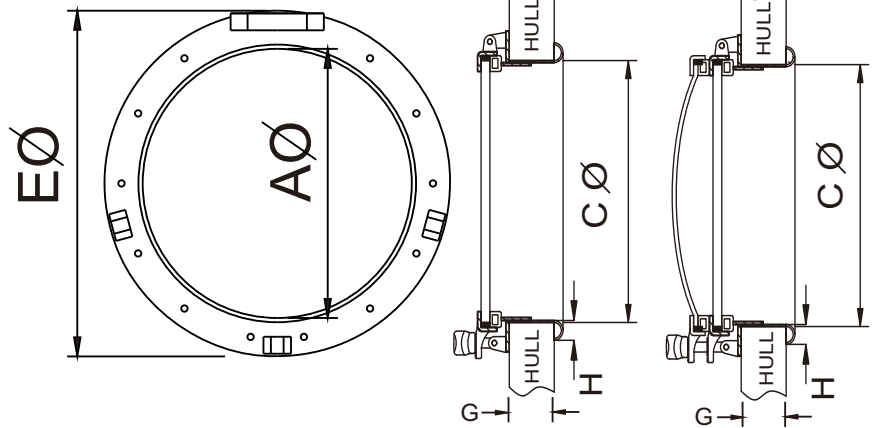


CLSR-H



LSR-H · CLSR-H OPENING PORTHOLE



LSR-H, CLSR-H

MODEL No.		A	C	E	H	GLASS THICKNESS
W/O COVER	W/COVER	MODEL	CUT OUT SIZE	OVERALL		
LSR-1000H	CLSR-1000H	10	254	10 1/2 267	12 7/8 327	3/4 20 3/8 10
LSR-1200H	CLSR-1200H	12	305	12 1/2 318	14 7/8 378	3/4 20 3/8 10
LSR-1400H	CLSR-1400H	14	356	14 1/2 368	16 7/8 429	3/4 20 3/8 10

IN/MM

1. Standard angled spigot size "G" available 1 1/4" 32mm · 1 1/2" 38mm · 2" 51mm · 2 1/2" 63mm · 3" 76mm · 3 1/2" 89mm
2. Special spigot size "G" available from 1" 25.4mm ~ 5" 127mm
3. Custom sizes available if Radius (R & R1) are kept unchanged.
4. The spigot height are needed, while ordering.

