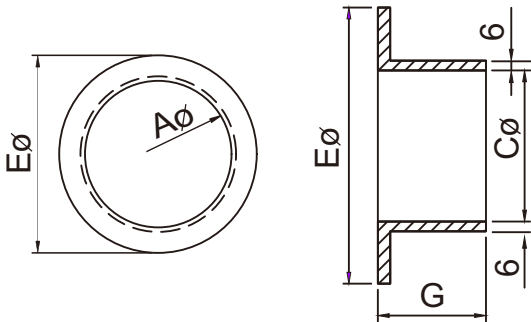


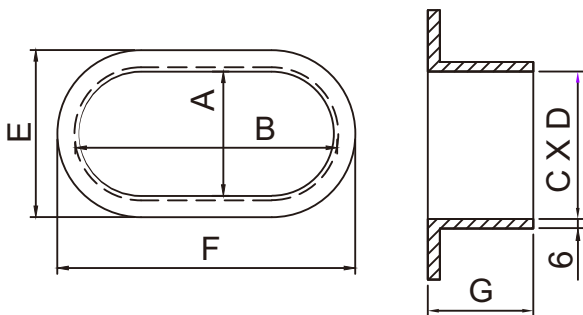
HEAVY DUTY PORTS (G)

1. Install with heavy duty ports spigot and weld on the hull spigot (G). Stainless Steel (316) and Aluminum (5052) are available.
2. Standard angled spigot size "G" available 1-1/4" (32mm), 1-1/2" (38mm), 2" (51mm), 2-1/2" (63mm), 3" (76mm), 3-1/2" (89mm).
3. Special spigot size "G" available from 1" (25.4mm)~6" (152mm).
4. Custom sizes available if Radius (R&R1) are kept unchanged.
5. The spigot height are needed, while ordering.



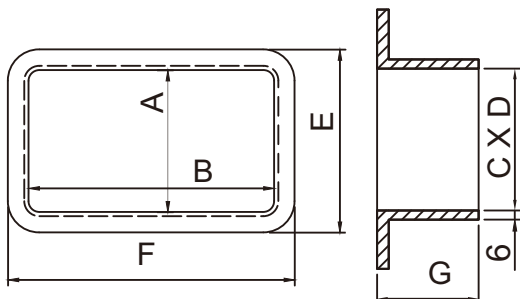
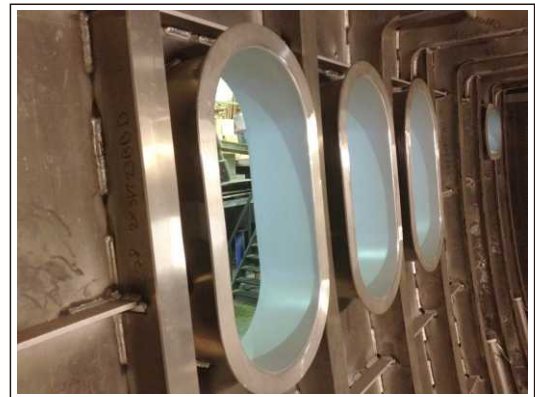
MODEL NO .		MODEL		E OVER ALL	
TLSR-1000G	CTLSR-1000G	10	254	13-5/16	338
TLSR-1200G	CTLSR-1200G	12	305	15-5/16	389
TLSR-1400G	CTLSR-1400G	14	356	17-5/16	440

IN/MM



MODEL NO .		A x B MODEL		E x F OVER ALL	
TLSO-1020G	CTLSO-1020G	10X20	254X508	13-5/16X23-5/16	338X592
TLSO-1024G	CTLSO-1024G	10X24	254X609	13-5/16X27-5/16	338X694
TLSO-1224G	CTLSO-1224G	12X24	305X609	15-5/16X27-5/16	389X694
TLSO-1228G	CTLSO-1228G	12X28	305X710	15-5/16X31-5/16	389X795

IN/MM



MODEL NO .		A x B MODEL		E x F OVER ALL	
TLS-1020G	CTLS-1020G	10X20	254X508	13-5/16X23-5/16	338X592
TLS-1024G	CTLS-1024G	10X24	254X609	13-5/16X27-5/16	338X694
TLS-1224G	CTLS-1224G	12X24	305X609	15-5/16X27-5/16	389X694
TLS-1228G	CTLS-1228G	12X28	305X710	15-5/16X31-5/16	389X795

