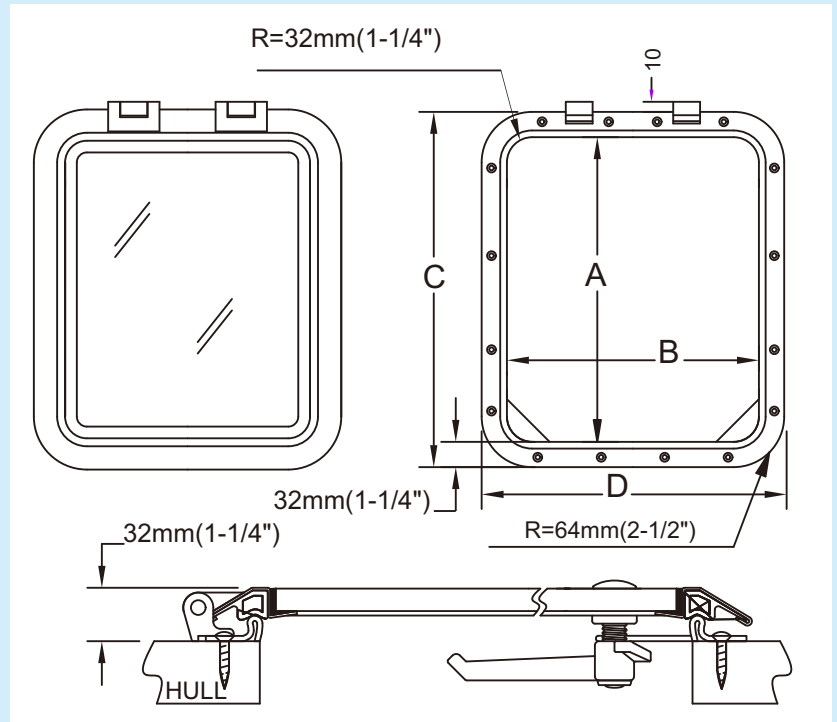


**IN/OUTSIDE OPENING**



**DOUBLE OPENING**



- ANY SIZE FOR "A" AND "B" AVAILABLE, IF R = 1 1/4" (32MM) REMAIN UNCHANGED.
- HATCHES SHOULD BE FITTED TO A FLAT SURFACE WITH A MAXIMUM TOLERANCE OF ±2MM.

**INSIDE OPENING**

PART No.	SIZE		CUTOUT SIZE		OVERALL		ACRYLIC THICKNESS	WEIGHT					
			A	B	C	D							
LDH-08-I	8 1/8 x 13 3/4	206X349	8 1/8	206	13 3/4	349	10 5/8	270	16 1/4	413	1/2	12	4.7KG
LDH-10-I	10 x 10	254X254	10	254	10	254	12 1/2	318	12 1/2	318	1/2	12	4.4KG
LDH-20-I	12 1/2 x 17 1/2	318X444	12 1/2	318	17 1/2	444	15	382	20	508	1/2	12	7.1KG
LDH-30-I	14 1/2 x 19 1/2	369X495	14 1/2	369	19 1/2	495	17	433	22	559	1/2	12	8.1KG
LDH-40-I	16 1/2 x 16 1/2	419X419	16 1/2	419	16 1/2	419	19	483	19	483	1/2	12	7.9KG
LDH-50-I	19 1/2 x 19 1/2	495X495	19 1/2	495	19 1/2	495	22	559	22	559	1/2	12	10.0KG
LDH-60-I	24 x 24	610X610	24	610	24	610	26 1/2	674	26 1/2	674	1/2	12	13.0KG
LDH-70-I	31 x 31	788X788	31	788	31	788	33 1/2	852	33 1/2	852	1/2	12	19.2KG

IN/MM

**IN/OUTSIDE OPENING**

PART No.	SIZE		CUTOUT SIZE		OVERALL		ACRYLIC THICKNESS	WEIGHT					
			A	B	C	D							
LDH-30-O	14 1/2 x 19 1/2	369X495	14 1/2	369	19 1/2	495	17	433	22	559	1/2	12	8.3KG
LDH-40-O	16 1/2 x 16 1/2	419X419	16 1/2	419	16 1/2	419	19	483	19	483	1/2	12	8.1KG
LDH-50-O	19 1/2 x 19 1/2	495X495	19 1/2	495	19 1/2	495	22	559	22	559	1/2	12	10.2KG
LDH-60-O	24 x 24	610X610	24	610	24	610	26 1/2	674	26 1/2	674	1/2	12	13.2KG
LDH-70-O	31 x 31	788X788	31	788	31	788	33 1/2	852	33 1/2	852	1/2	12	19.6KG

\*Please indicate inside locking or outside locking or w/o outside locker while ordering.

IN/MM

**DOUBLE OPENING**

PART No.	SIZE		CUTOUT SIZE		OVERALL		ACRYLIC THICKNESS	WEIGHT					
			A	B	C	D							
LDH-50-D	19 1/2 x 19 1/2	495X495	19 1/2	495	19 1/2	495	22	559	22	559	1/2	12	10.8KG
LDH-60-D	24 x 24	610X610	24	610	24	610	26 1/2	674	26 1/2	674	1/2	12	14.3KG
LDH-70-D	31 x 31	788X788	31	788	31	788	33 1/2	852	33 1/2	852	1/2	12	20.4KG

IN/MM